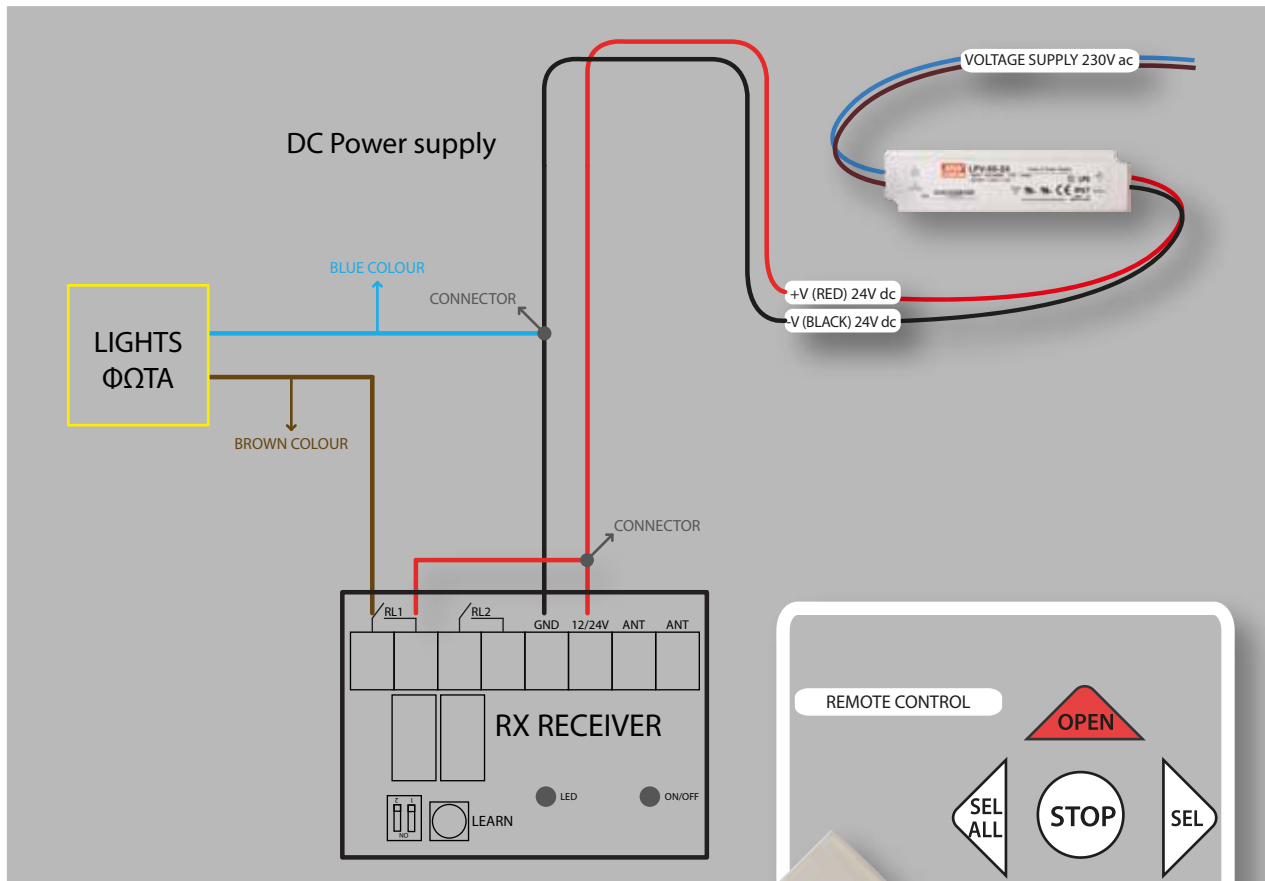




LIGHTING SYSTEM CONTROL ASSEMBLY FOR PERGOLAS

REMOTE CONTROL / RECEIVER PROGRAMMING



SET UP INSTRUCTIONS

1. The **RX RECEIVER** is designed for indoor installations. If used outdoors it should be housed in a suitable weatherproof enclosure.
2. Before making any connections ensure that the power to the equipment you are connecting to is switched off.
3. Connect the **GND** and **12/24V** terminals to the **24 Volt POWER SUPPLY UNIT** that is provided.
4. Switch on the power source supplying the receiver and program the remote control.
5. A red light **ON/OFF** will go on indicating that there is power on the **RX RECEIVER**.
6. Select the channel you want to use on the **REMOTE CONTROL** by using the button **SELECT**.
7. Press once and release the **LEARN** button on the **RX RECEIVER**. As soon as the **LED** light goes on, press the **OPEN** on the **REMOTE CONTROL**. The **LED** light will flash 5 times indicating that is programmed and ready to use. Repeat for additional **RECEIVERS**.
8. The button **OPEN** is used to turn the lights of the Pergola **ON** and **OFF**
9. To erase the **RX RECEIVERS'** memory press the **LEARN** button for 10 seconds.

* **RECEIVERS** and **REMOTE CONTROLS** are already **PRE-PROGRAMMED**